

IMPORTANT! In U.S. and Canada only: Have questions?...don't go back to the store!

We appreciate your purchasing one of our many fine products. We are sure that you will be very satisfied with your selection. Although great care and effort have been taken, occasionally problems may occur. To ensure prompt and correct handling of any problems, or to answer any questions, please contact our Toll-Free Customer Service Number listed below. Service will be quicker if you have your Model Number (found on carton) and assembly instructions ready when calling. PLEASE WRITE YOUR MODEL NUMBER IN THE SPACE PROVIDED ABOVE.

SAFETY INSTRUCTIONS

FAILURE TO FOLLOW THESE SAFETY INSTRUCTIONS MAY RESULT IN SERIOUS INJURY, PROPERTY DAMAGE AND WILL VOID WARRANTY.

Owner must ensure that all players know and follow these rules for safe operation of the system.

To ensure safety, do not attempt to assemble this system without following the instructions carefully. Proper and complete assembly, use and supervision is essential for proper operation and to reduce the risk of accident or injury. A high probability of serious injury exists if this system is not installed, maintained, and operated properly. Check entire box and inside all packing material for parts and/or additional instructional material. Before beginning assembly, read the instructions and identify parts using the hardware identifier and parts list in this document.

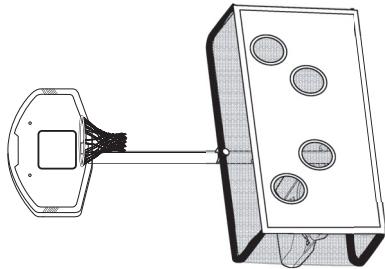
- If using a ladder during assembly, use extreme caution.
- Two (2) people are recommended for this operation.
- Check base regularly for leakage. Slow leaks could cause system to tip over unexpectedly.
- Seat the pole sections properly (if applicable). Failure to do so could allow the pole sections to separate during play and/or transport of the system.
- Climate, corrosion or misuse could result in system failure.
- Minimum operational height is 6'6" (1.98 m) to the bottom of backboard.
- This equipment is intended for home recreational use only and NOT excessive competitive play.
- Read and understand the warning label affixed to pole. Label is shown to the right.
- The life of your basketball pole depends on many conditions. The climate, placement of the pole, the location of the pole, exposure to corrosives such as pesticides, herbicides or salts are all important.
- If technical assistance is required, contact Huffly Sports.
- Adult supervision is recommended when adjusting height.

Most injuries are caused by misuse and/or not following instructions. Use caution when using this system.

For more information on assembly, placement, proper use and maintenance, visit The American Basketball Council website at <http://www.smarthoops.com>.

The NBA and individual NBA member team identifications reproduced on this product are trademarks and copyrighted designs, and/or other forms of intellectual property, that are the exclusive property of NBA Properties, Inc. and the respective NBA member teams and may not be used, in whole or in part, without the written consent of NBA Properties, Inc.

NOTICE TO ASSEMBLERS
ALL Huffly Sports basketball Systems, including those used for **DISPLAYS**, **MUST** be assembled and ballasted with sand or water according to instructions. Failure to follow instructions could result in **SERIOUS INJURY**. It is **NOT** acceptable to devise a makeshift weight system.



HEIGHT ADJUSTMENT

Seat until on support table. Remove adjustment knobs (A) and carriage bolts (B) to extend or retract backboard and rim. Height adjustment from 7' to 10'.

WARNING
Backboard may rotate during height adjustment.

15

MOVING SYSTEM

1. While holding pole, rotate backboard and rim forward until wheels engage with ground.
2. Move basketball system to desired location.
3. Carefully rotate basketball system upright.
4. Reattach ground restraint and check system for stability.

WARNING
Do not adjust height of system in upright position. System must be in down position to adjust.

200439 1100

REQUIRED TOOLS AND MATERIALS:

- Two People
- Wood Board (Scrap)
- Tape Measure
- Step Ladder 8 ft. (2.4 m)
- Tape
- Garden Hose or Sand 360 lb. (163 kg)
- Hammer
- Wrenches: (Two) 1/2", (One) 9/16" or Two Small Adjustable Wrenches (9/16" Deep Socket w/Extension Recommended)
- Support Table

WARNING

FAILURE TO FOLLOW THESE WARNINGS MAY RESULT IN SERIOUS INJURY AND/OR PROPERTY DAMAGE.

Owner must ensure that all players know and follow these rules for safe operation of the system.

- DO NOT HANG on the rim or any part of the system including backboard, support braces or net.
- During play, especially when performing dunk type activities, keep player's face away from the backboard, rim and net. Serious injury could occur if teeth/face come in contact with backboard, rim or net.
- Do not slide, climb, shake or play on base and/or pole.
- After assembly is complete, fill system completely with water or sand and stake to the ground. Never leave system in an upright position without filling base with weight, as system may tip over causing injuries.
- When adjusting height or moving system, keep hands and fingers away from moving parts.
- Do not allow children to move or adjust system.
- During play, do not wear jewelry (rings, watches, necklaces, etc.). Objects may entangle in net.
- Surface beneath the base must be smooth and free of gravel or other sharp objects. Punctures cause leakage and could cause system to tip over.
- Keep organic material away from pole base. Grass, litter, etc. could cause corrosion and/or deterioration.
- Check pole system for signs of corrosion (rust, pitting, chipping) and repaint with exterior enamel paint. If rust has penetrated through the steel anywhere, replace pole immediately.
- Check system before each use for proper ballast, loose hardware, excessive wear and signs corrosion and repair before use.
- Check system before each use for instability.
- Do not use system during windy and/or severe weather conditions; system may tip over. Place system in the storage position and/or in an area protected from the wind and free from personal property and/or overhead wires.
- Never play on damaged equipment.
- See instruction manual for proper installation and maintenance.
- When moving system, use caution to keep mechanism from shifting.
- Keep pole top covered with cap at all times.
- Do not allow water in tank to freeze. During sub-freezing weather add non-toxic antifreeze, sand or empty tank completely and store. (Do not use salt.)
- Use extreme caution if placing system on sloped surface. System may tip over more easily.

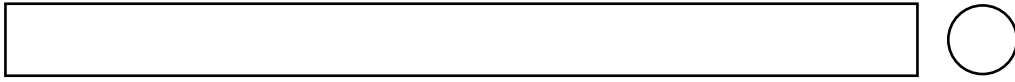
HUFFY SPORTS

In the U.S.: 1-800-558-5234 and Canada: 1-800-264-4339
201241

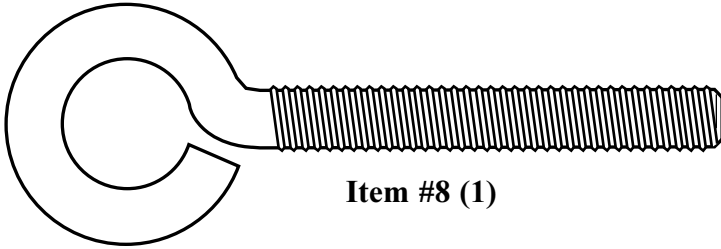
TUFF STUFF® and associated trademarks are owned and used with permission of Mattel, Inc. Huffly products are not sponsored, endorsed or authorized in any way by Mattel, Inc. or any of its affiliated or subsidiary companies.

Toll-Free Customer Service Number for U.S.: 1-800-558-5234, For Canada: 1-800-264-4339, For Europe: 00 800 555 85234 (Sweden: 009 555 85234), For Australia: 1-800-333 061 - Internet Address: <http://www.hufflysports.com>

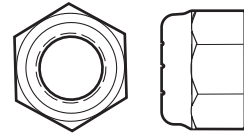
HARDWARE IDENTIFIER



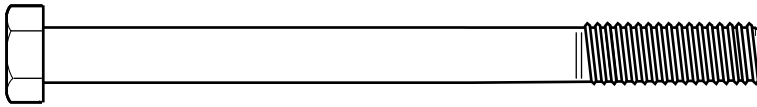
Item #7 (1)



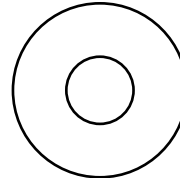
Item #8 (1)



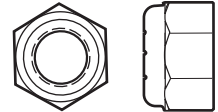
Item #10 (1)



Item #11 (1)



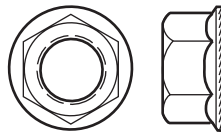
Item #12 (10)



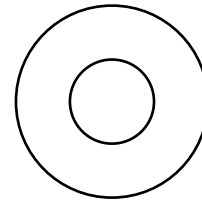
Item #14 (1)



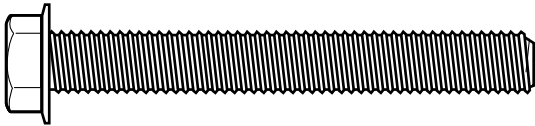
Item #16 (2)



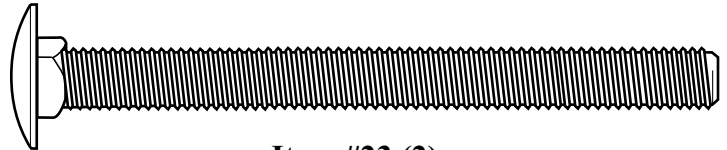
Item #17 (10)



Item #21 (4)



Item #22 (4)



Item #23 (2)

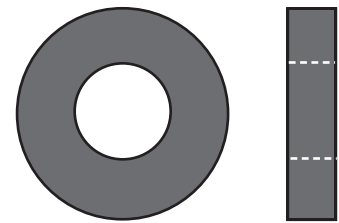
GOAL/NET REMOVAL

1. Remove knob from top
2. Remove stabilizer poles
3. Remove knob from bottom

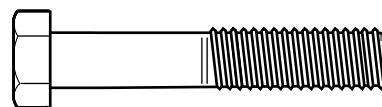
WARNING

REMOVE GOAL/NET ASSEMBLY BEFORE
PLAYING BASKETBALL. FAILURE TO DO SO
COULD RESULT IN INJURY DUE TO
COLLISION WITH GOAL/NET FRAME.

P/N 201560 06/02



Item #28 (2)



Item #39 (4)

* You may have extra parts with this model.

ENGLISH INSTRUCTIONS

IMPORTANT! WRITE DOWN MODEL NUMBER FROM BOX ON PAGE 1 OF THIS OWNERS MANUAL

1. Remove contents from tank (1).
2. Correctly identify each pole section and mark indicated distance from ends with tape as shown.
3. **IMPORTANT! Center alignment slot of middle pole section (5) in a lower hole of top pole section (4) as shown.** While maintaining alignment, bounce pole top (4) and middle section (5) together as shown until they no longer move toward taped reference mark. Upright assembly. **NOTE:** Pole sections should have a 3-1/2" (9 cm) minimum overlap.
4. **IMPORTANT! Center alignment slot of lower pole section (6) in a lower hole of middle pole section (5) as in step 4.** While maintaining alignment, bounce assembly and lower section (6) together as shown until they no longer moved toward taped reference mark.
NOTE: Pole sections should have a 3-1/2" (9 cm) minimum overlap.
5. Install rod (7) through holes in bottom pole (6) section and eyebolt (8).
6. Install wheel axle (2) through wheel carriage (9) and install wheels (3) onto wheel axle (3) with spacers (28) as shown. Insert pole assembly into tank assembly as shown. Secure bottom pole (6) to tank, lower bracket "A" (36) and wheel bracket as shown, a deep socket is recommended.
NOTE: Two people recommended for this step.
IMPORTANT! DO NOT OVER TIGHTEN.
7. Secure tank struts (13) to pole. Rotate non-secured ends of tank struts (13) outward to mounting holes in tank as shown.
▲ WARNING: TIGHTEN BOLT (11) IN LOCK NUT (14) UNTIL FLUSH (EVEN) WITH LOCK NUT'S OUTER EDGE.
8. Secure non-secured ends of tank struts (13) to tank as shown. Repeat for opposite side.

▲ WARNING: USE OF THIS PRODUCT WITHOUT PROPER INSTALLATION OF NET CLIPS, OR WHEN ALL NET CLIPS ARE NOT PRESENT COULD RESULT IN BODILY HARM. BE SURE TO FOLLOW DIRECTIONS CAREFULLY.

9. Mount brackets (20), rim spacer (45) and rim (18) to backboard and finger tighten. **NOTE:** Final adjustments will be made in Step 12.
IMPORTANT! For spring loaded rim assembly, refer to instructions included with rim hardware.
10. Support pole and tank assembly over support table. Carefully slide backboard components onto pole.

▲ WARNING: TWO PERSON MINIMUM REQUIRED FOR THIS PROCEDURE. NOT FOLLOWING RECOMMENDATION MAY RESULT IN BODILY INJURY.

▲ WARNING: DO NOT LEAVE ASSEMBLED UNIT UNATTENDED WHEN EMPTY, MAY TIP OVER.

11. While still in the horizontal position, secure hardware at desired position as shown and tighten all hardware completely at this time.
12. Install netclips and net as instructed on illustration page.
13. **NOTE:** Two people recommended for this procedure. Carefully upright assembly. Apply moving system label (15) to front of pole as shown. Regulation rim height is 10 feet (3.05 m).

▲ WARNING: DO NOT LEAVE ASSEMBLED UNIT UNATTENDED WHEN EMPTY, MAY TIP OVER.

14. Place assembled unit to desired location. Fill tank with water (30 gallons (114 liters)) or sand (360 lb. (163 kg)) and snap tank cap (30) in place. Insert T-strap (29) through slot on back of base as shown. Secure unit to ground by twisting tie down stake (27) into ground and hooking T-strap (29) onto tie down stake (27).
IMPORTANT! Add two gallons (7.6 liters) of non-toxic antifreeze in sub-freezing climates.
15. Slide framework halves into net and insert reduced end of frame into expanded end as shown.

NOTE: TABS ON STRAPS SHOULD BE POSITIONED ON THE OUTSIDE

- OF NET. FIT OF NET MAY BE TIGHT TO FRAME
16. Attach upper brackets (38) to framework with bolts (39), nuts (17) and washers (12) as shown.
 17. Attach lower bracket "B" (37) to framework with bolts (39), nuts (17) and washers (12) as shown.
 18. Lift net assembly into place and attach to unit with hand knobs (41), (42) as shown.
 19. Install fiberglass rods (33) into pockets on net. Top and bottom ends of rods are inserted into holes on framework. Attach pole pad as shown.
 20. Attach snap clips on tarp to "D" ring on net as shown. Thread straps on net through tarp as shown and tighten straps to desired tarp tension.

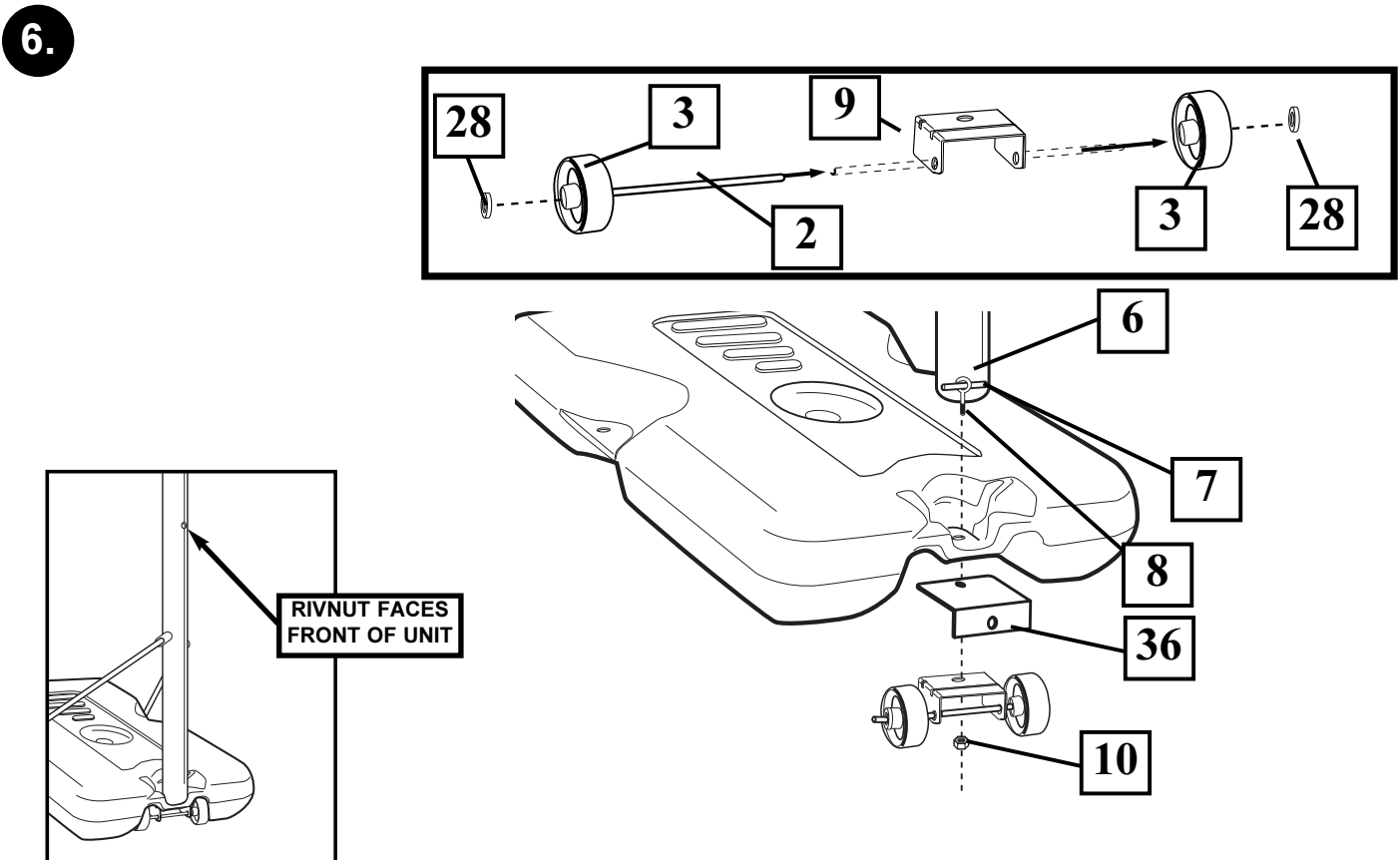
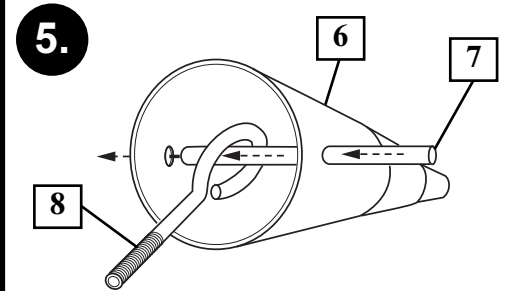
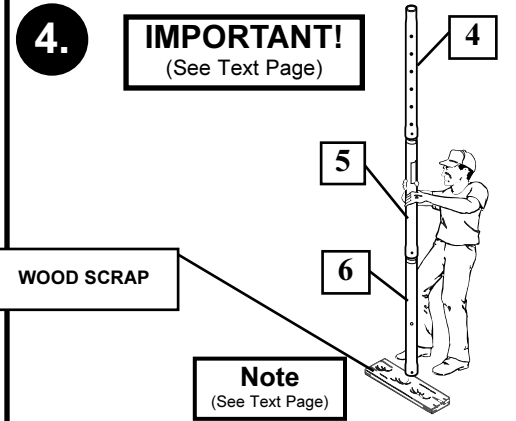
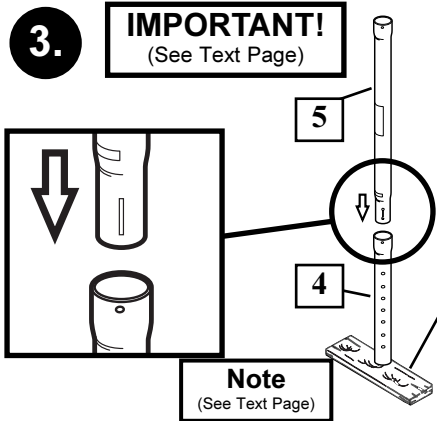
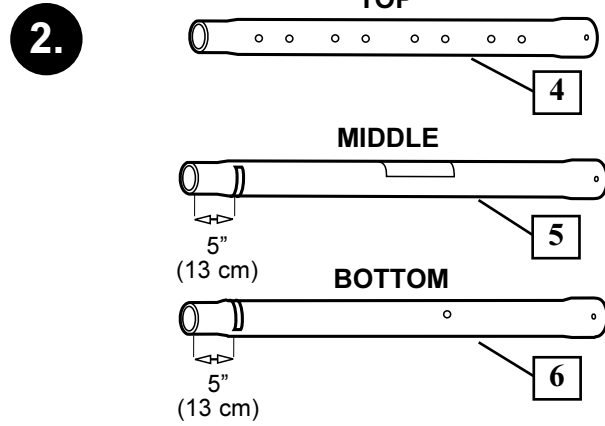
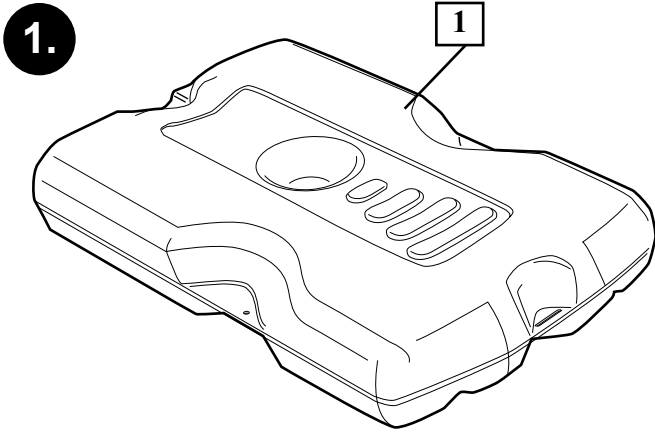
WARRANTY CARD:

Please remember to complete your product registration form either on-line at:
www.huffysports.com/warrantycard or mail-in the enclosed postcard.

PARTS LIST
(See Hardware Identifier)

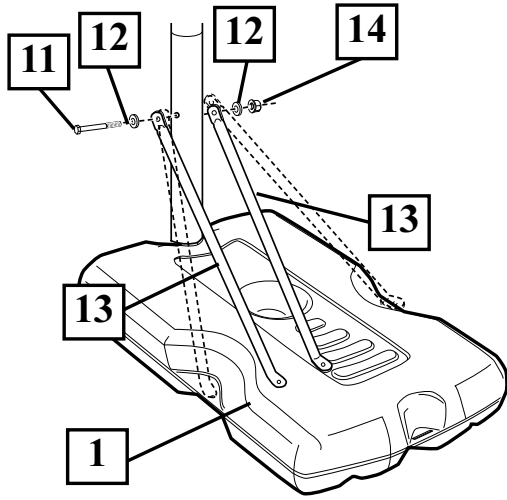
<u>Item</u>	<u>Qty.</u>	<u>Part No.</u>	<u>Description</u>
1	1	206645	Tank (Black)
2	1	200628	Wheel Axle
3	2	226401	Wheel
4	1	900060	Top Pole Section
5	1	900166	Bottom Pole Section
6	1	900315	Middle Pole Section w/ Rivnut and Label
7	1	202820	Rod, 3/8 O.D. x 4-3/4 Long
8	1	202822	Eye Bolt, 3/8 x 16 x 3-3/4 Long
9	1	200924	Wheel Bracket
10	1	203063	Lock Nut, Nylon Insert, 3/8-16
11	1	202541	Bolt, Hex Head, 5/16-18 x 3-3/4
12	10	203218	Washer, 5/16 Flat
13	2	906206	Tank Strut
14	1	203220	Lock Nut, 5/16-18
15	1	200439	Label, Moving System and Height Adjust.
16	2	203156	Bolt, Hex Head, 5/16-18 x 1 Long
17	10	203100	Nut, Hex Flange 5/16-18
18	1		Rim
19	12*	201219	Clip, Net Holder
20	2	900162	Backboard Mounting Bracket
21	4	203309	Washer, 1 O.D.
22	4	203113	Bolt, Hex Flange, 5/16-18 x 2-1/2 Long
23	2	203231	Bolt, Carriage 5/16-18 x 3-1/2
24	2	203435	Knob, Plastic, 1-3/4 Diameter
25	1		Net
26	1	206219	Cap
27	1	203124	Tie Down Stake
28	2	201651	Spacer, Wheel Axle
29	1	200929	T-Strap
30	1	203617	Tank Cap
31	2	900314	Sportstation Frame (tapered end)
32	2	900313	Sportstation Frame
33	2	201554	Rod, Fiberglass
34	1	201549	Tarp, Soccer/Hockey
35	1	201548	Tarp, Football/Baseball
36	1	900316	Bracket, Lower "A"
37	1	900317	Bracket, Lower "B"
38	2	900311	Bracket, Upper
39	4	202739	Bolt, 5/16-18 x 1-3/4 Long
40	4	201552	End Cap, Square
41	1	201558	Knob, 2"
42	1	201559	Knob, 1"
43	1	201585	Storage Bag
44	1	201547	Net Assembly
45	1	203365	Rim Spacer

* YOU MAY HAVE EXTRA PARTS WITH THIS MODEL.

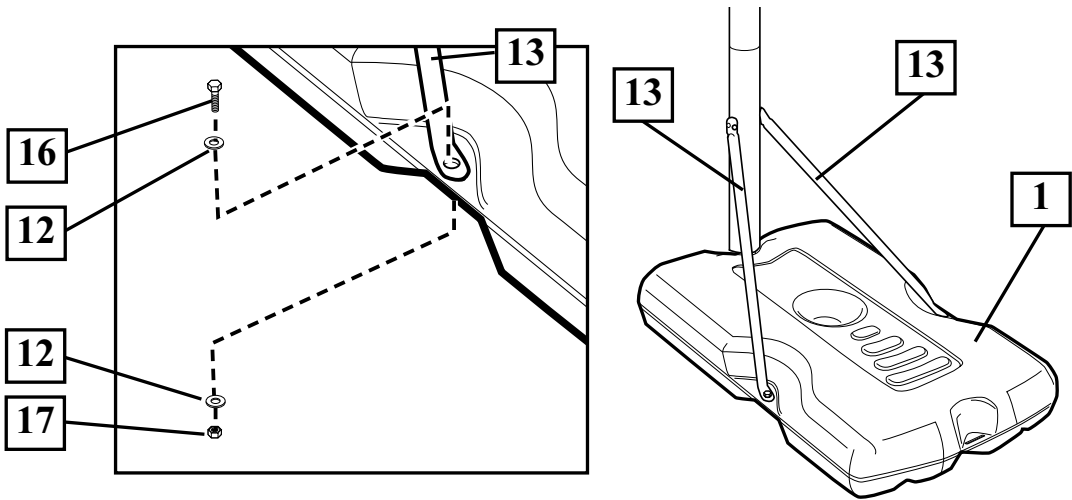


7.

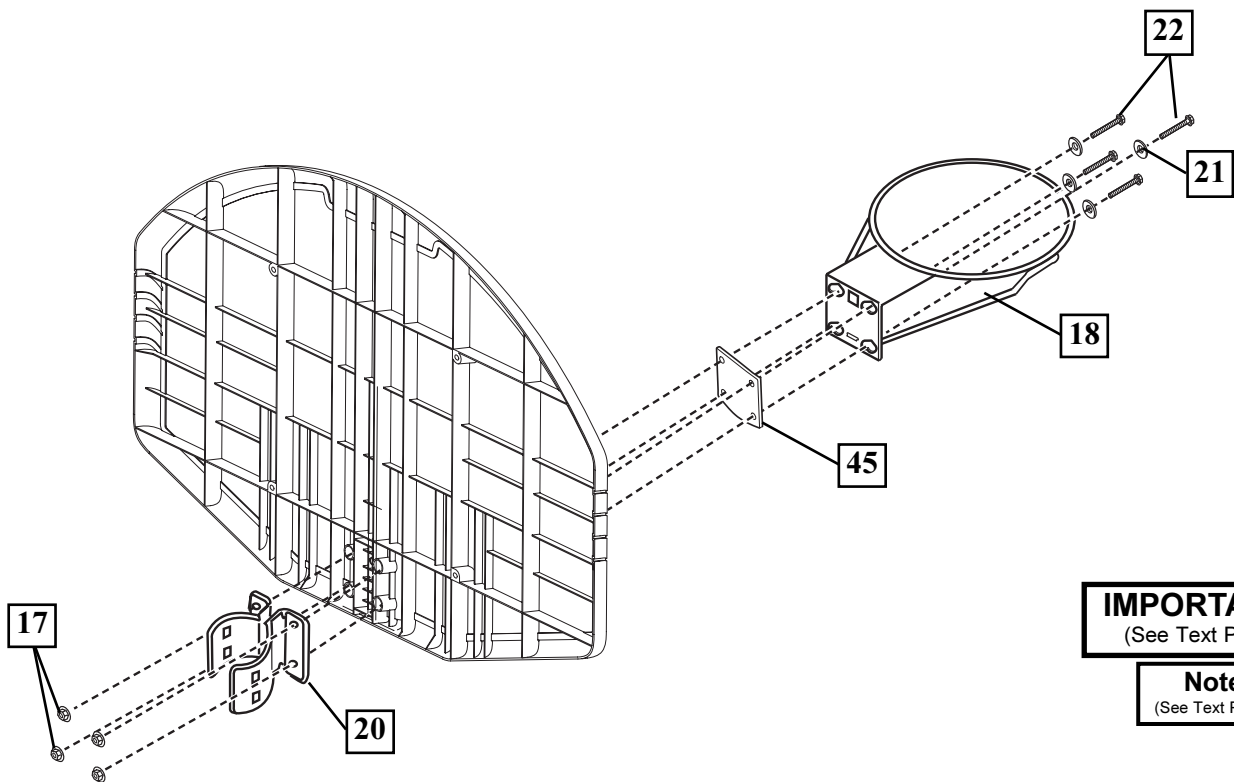
⚠ WARNING
(See Text Page)



8.



9.



IMPORTANT!
(See Text Page)

Note
(See Text Page)

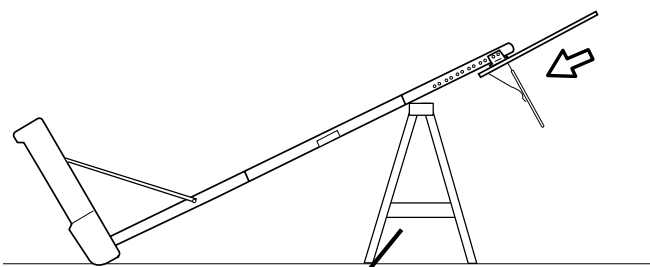
10.

⚠ WARNING

(See Text Page)

Note

(See Text Page)

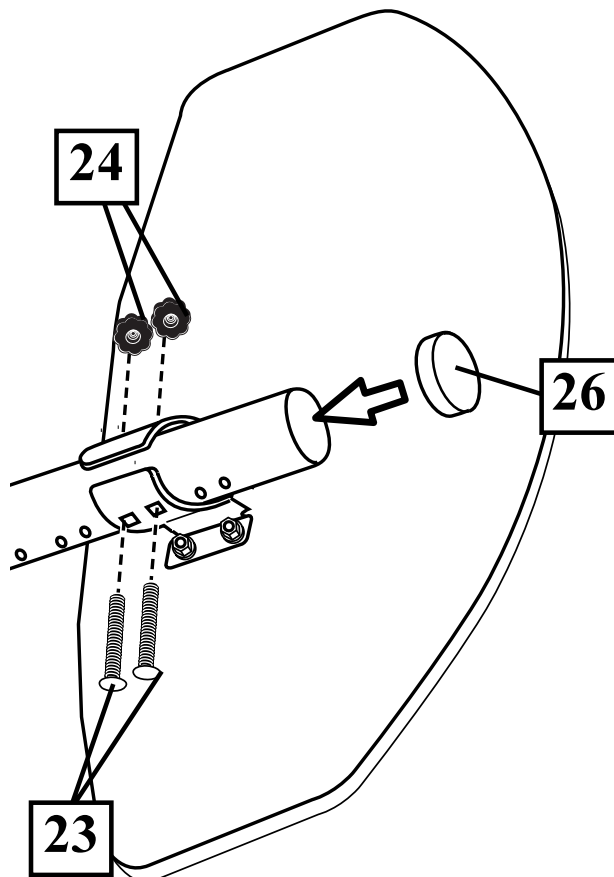


SAWHORSE OR SUPPORT TABLE

11.

IMPORTANT!

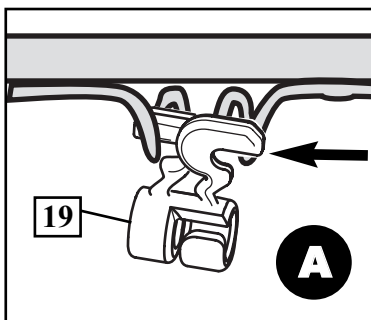
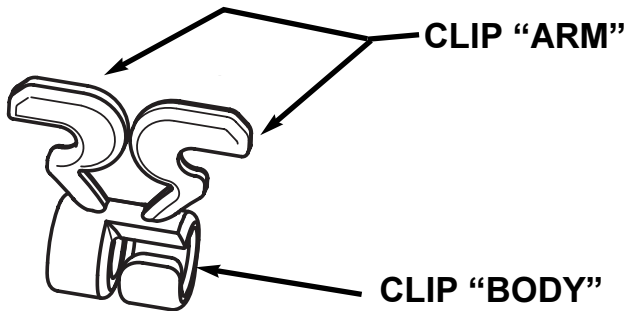
(See Text Page)



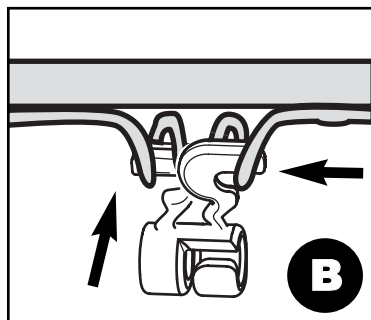
12.

Install net clips.

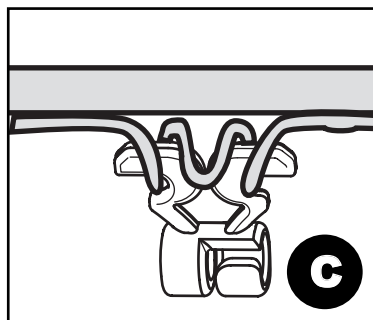
! WARNING: Use of this product without proper installation of net clips, or when all net clips are not present could result in bodily harm. Be sure to follow directions carefully.



Insert one "arm" of clip into ram as shown. Twist "body" of clip slightly so that second "arm" slides over the top of the first "arm" as shown. Push in direction indicated by arrows.

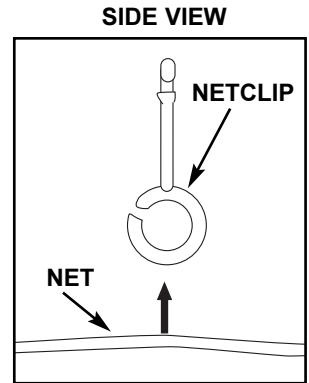
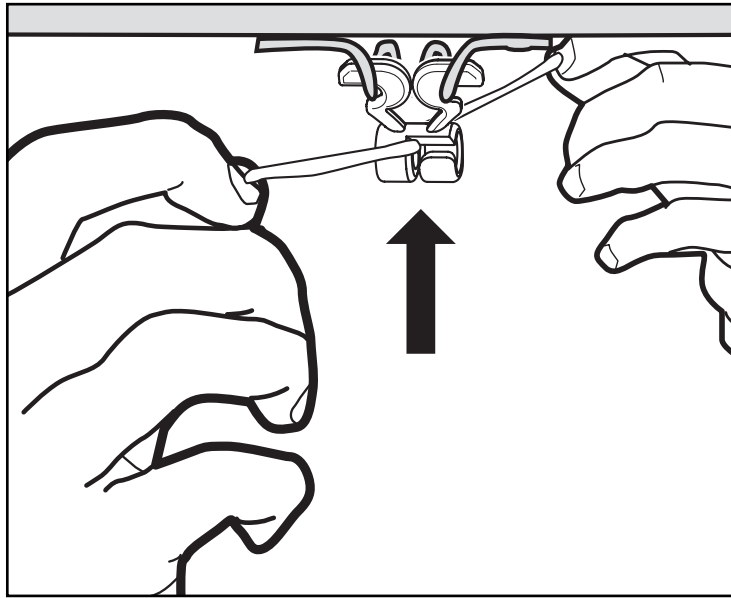


Push second "arm" back and into ram as shown.

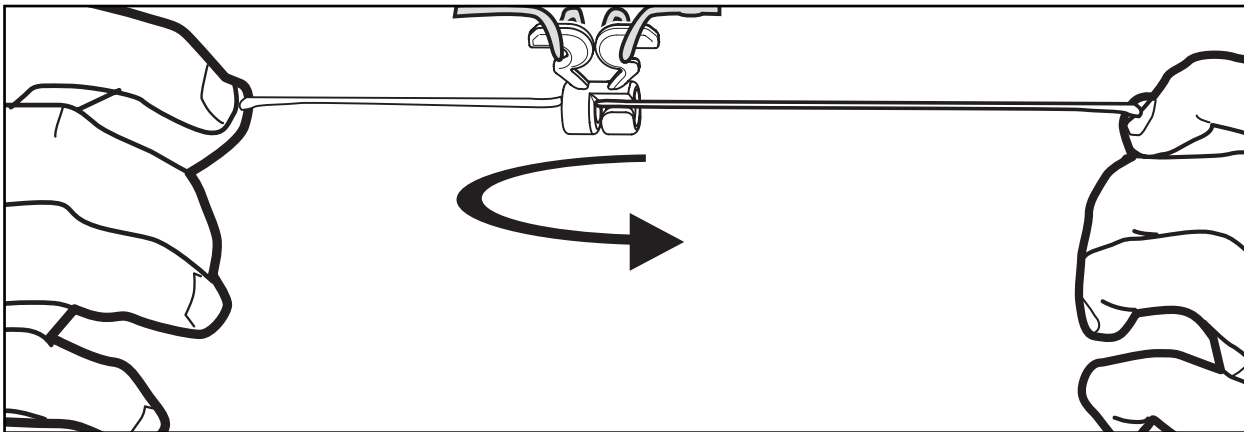


Twist "body" of clip slightly again to spread "arms" of clip. Clip "arms" must be flat and touching edge to edge as shown, not overlapping.

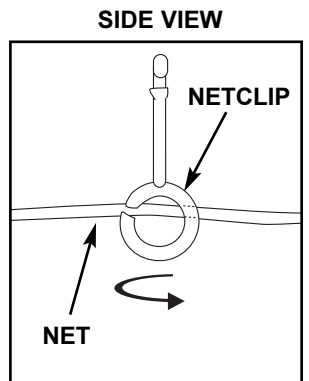
Install net.



Insert net into bottom of clip as shown.



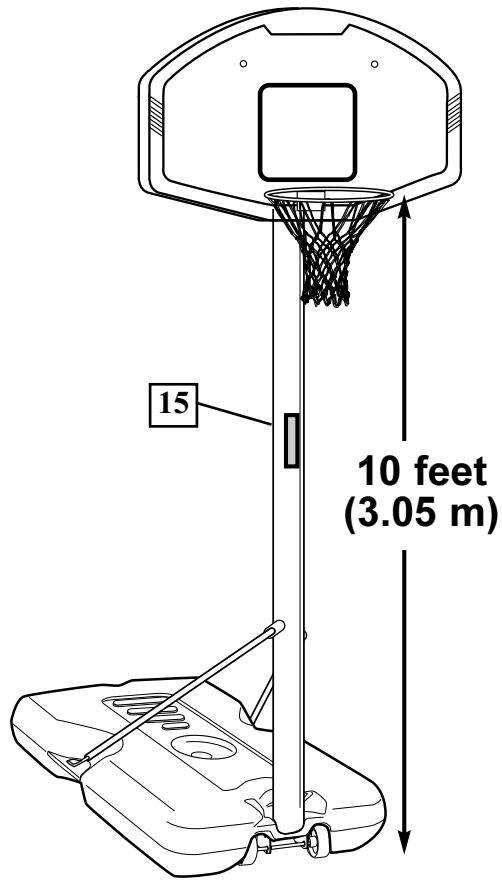
Twist net until it snaps into position.
Net must be centered through clip.



13.

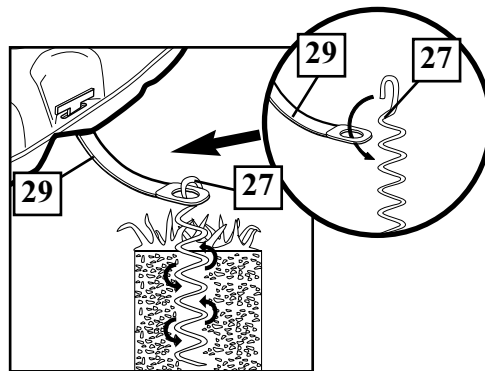
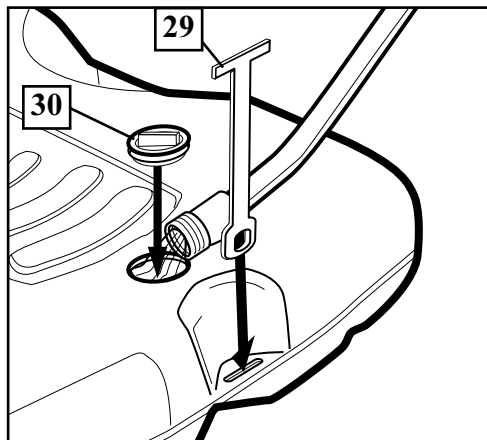
⚠ WARNING
(See Text Page)

Note
(See Text Page)



14.

IMPORTANT!
(See Text Page)

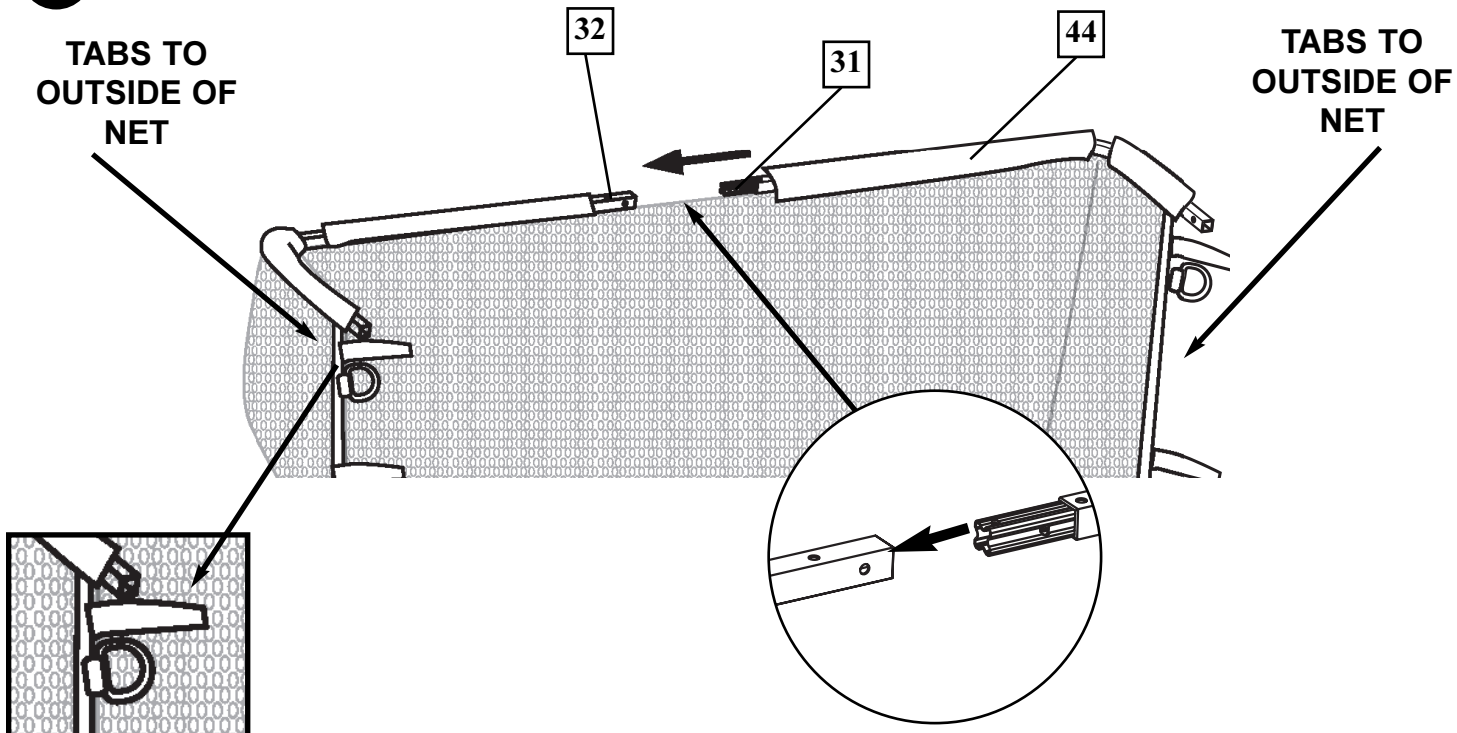


NET/GOAL ATTACHMENT

15.

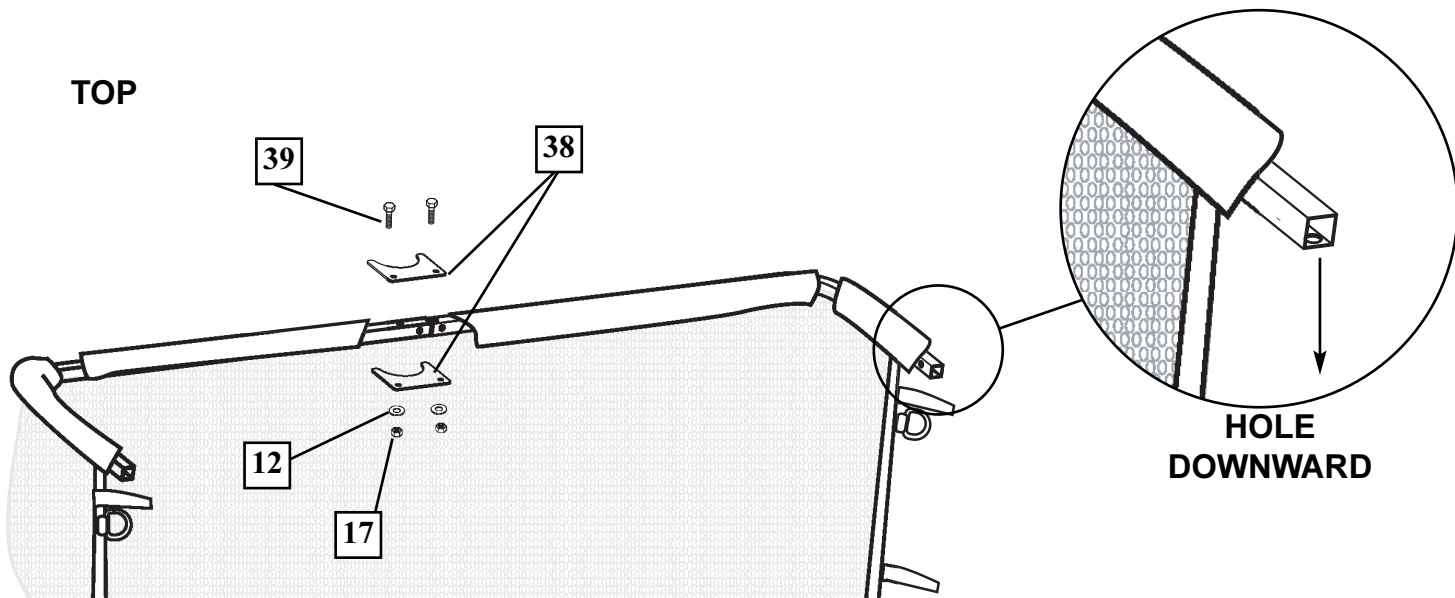
TABS TO
OUTSIDE OF
NET

TABS TO
OUTSIDE OF
NET



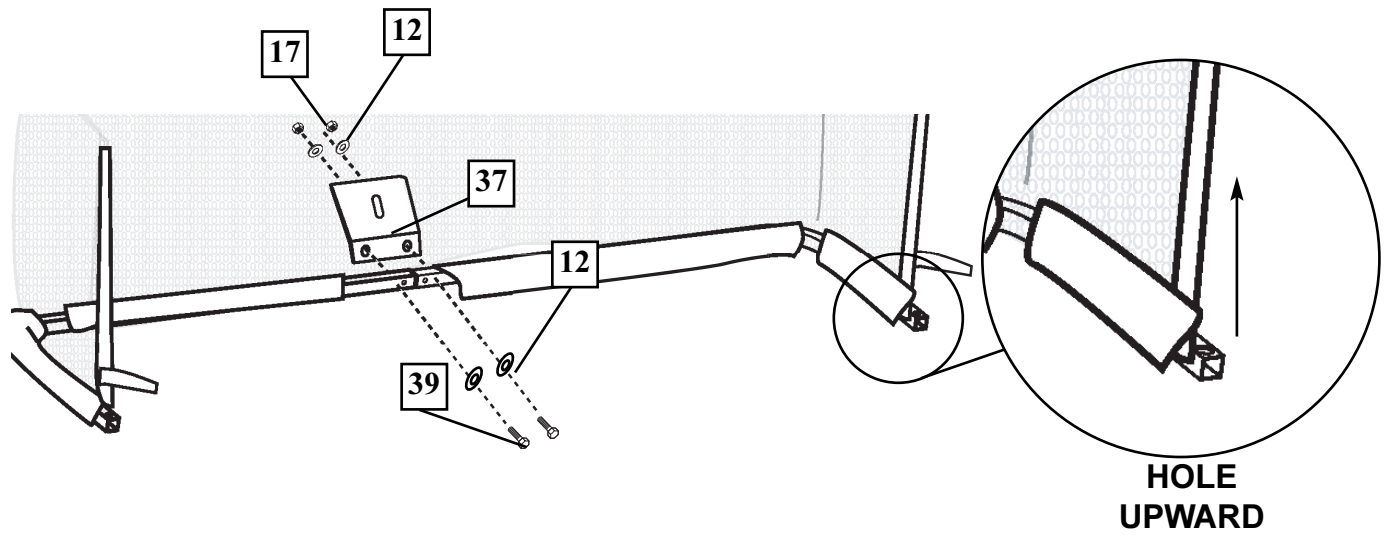
16.

TOP

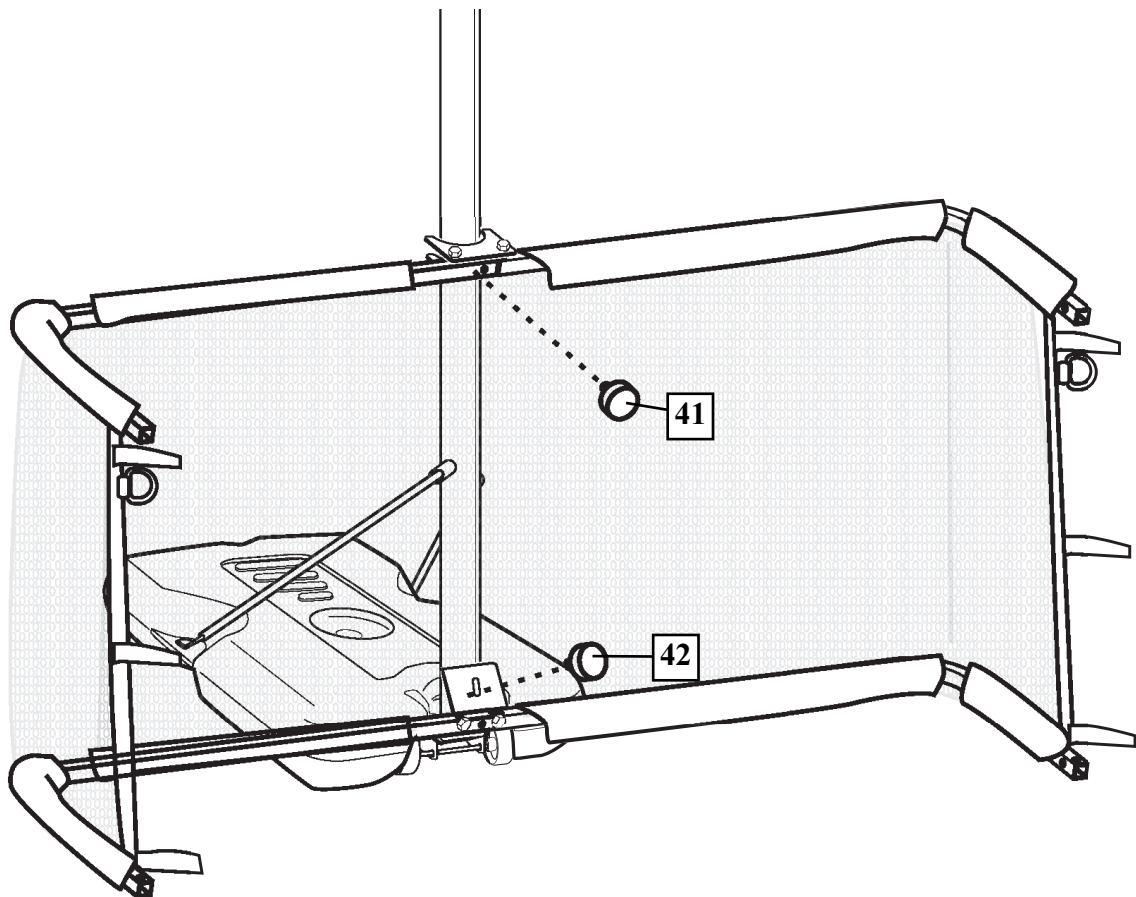


17.

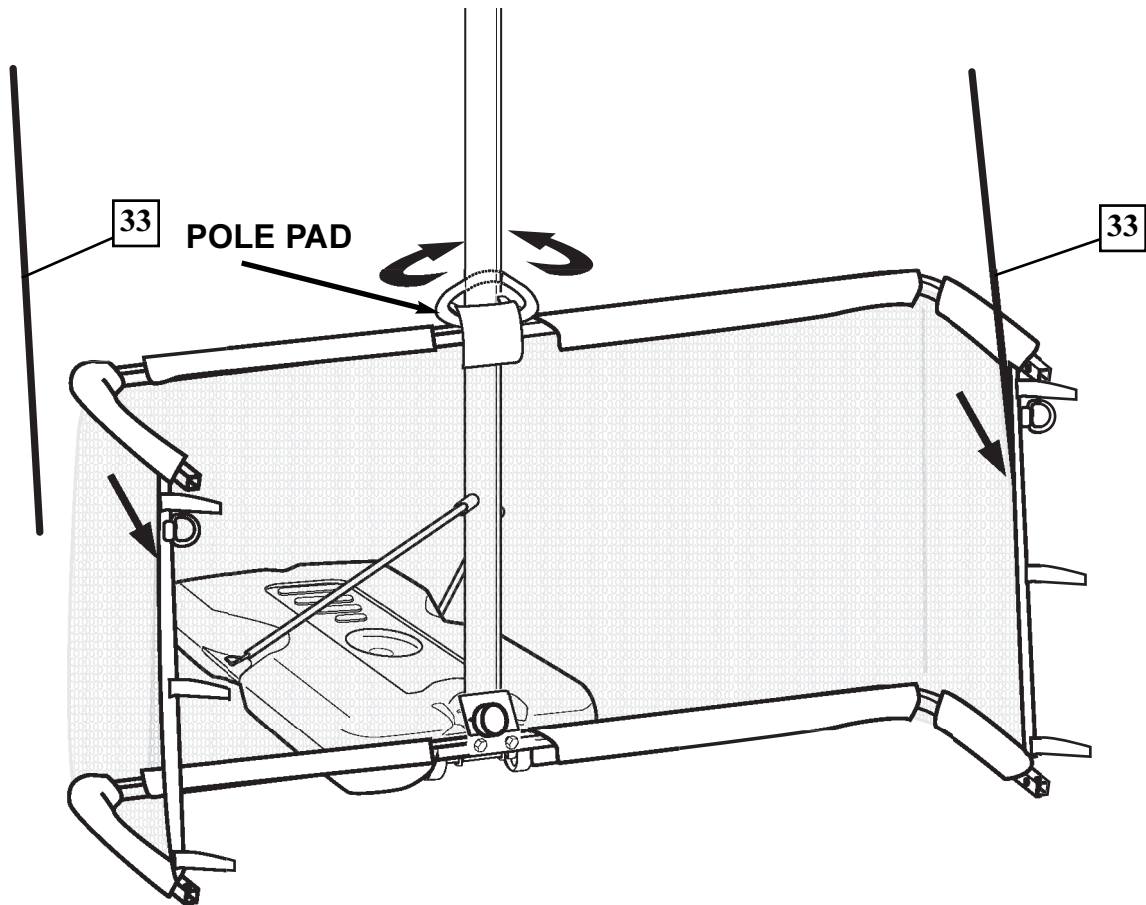
BOTTOM



18.



19.



TARP ATTACHMENT

20.

